



Yep, it keeps going.

STR

HMC-US.COM

BIRD'S EYE VIEW

With a 29' MAST you'll be able to accomplish the tallest jobs.

WATCH IT MOVE

Our MAST MOVES 24" in and out 10" side to side, for unparalleled flexibility.

EASY AS X-Y-Z

The STR's GPS AUTOMATION controls provide you with precision pile placement.

JOB CUSTOMIZATION

Get the job done with 3 AVAILABLE ATTACHMENTS: Vibratory Driver/Extractor, Impact Hammer, and the Auger.

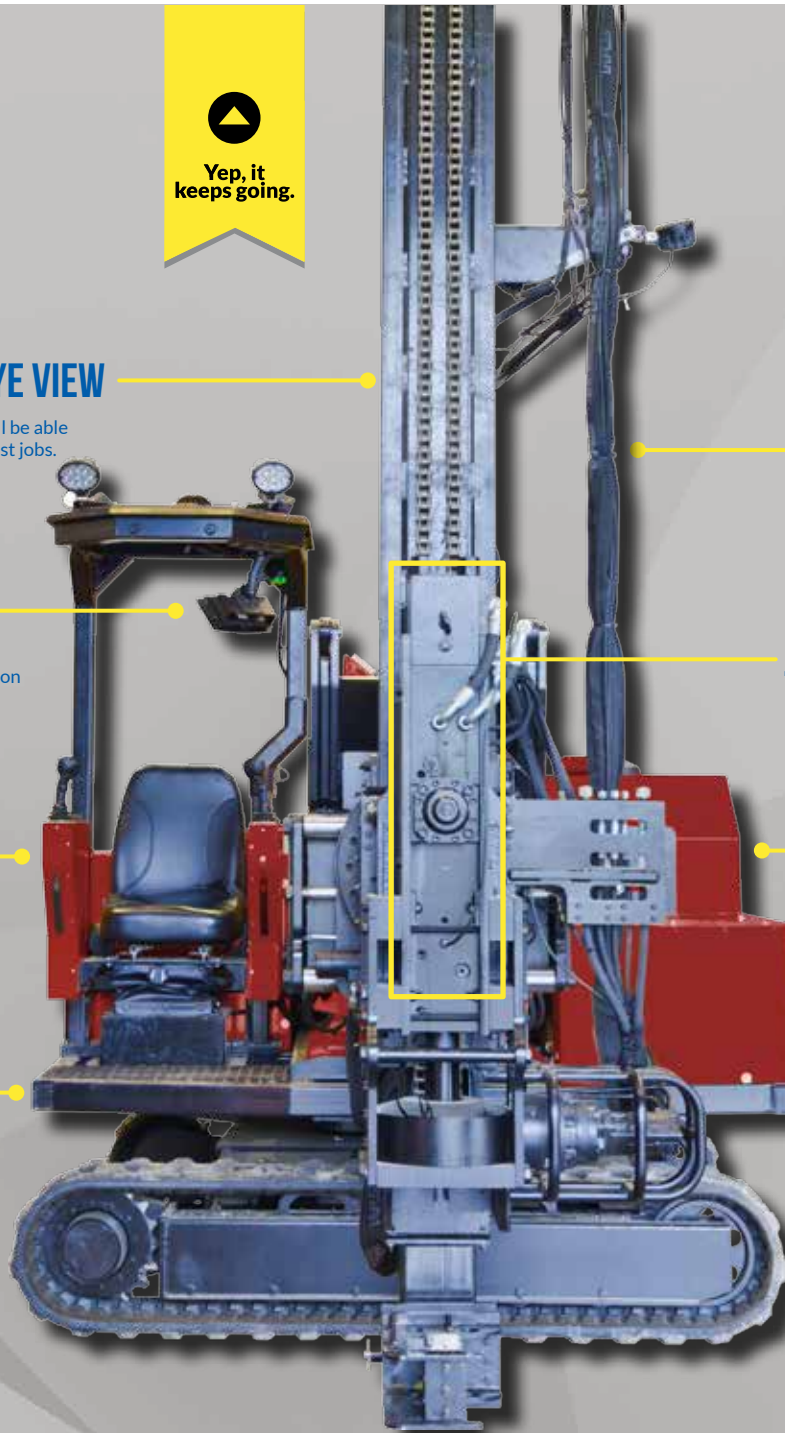
REVVED UP

With 83.5 HORSE POWER, TIER 4i ENGINE, the STR has superb power.

BALANCING ACT

The HYDRAULICALLY ADJUSTED COUNTERWEIGHT allows you to achieve the right balance for the day's work.

360° ROTATION



Be the most versatile player on the worksite with the new Self-Contained Track Rig (STR). While other machines in its class can perform only one function without the ability to switch tools, the STR tops them all by easily converting from the Impact driver to the Vibro driver to the drill tool when installing small piles for solar or other applications. One machine with the flexibility of three tools right at your fingertips makes you the MVP of any worksite.

Discover how the STR can transform your business. Call us today to find out how you can pre-order an STR.



Hercules Machinery Corporation

Manufacturer and Supplier of Foundation Equipment

PH: 800.348.1890

EMAIL: tmorgan@hmc-us.com

SELF-CONTAINED TRACK RIG

www.hmc-us.com



MACHINE SPECS

- Engine: Yanmar 4TNV98T 3.3L, 83.5HP
- 234 ft-lbs, Tier 4i Emissions
- Width: 98"
- Height: ~120" (transport), 352" (working)
- Operating Weight: ~19,500 lbs.
- Fuel: Diesel, 30 gal.
- Hydraulics: 80 gal.
- Auto Plumb

MAST

- Length: 352", 24' Pile length
- Extend: 24"
- Side Shift, +/- 5"
- Tilt: +10°, -45°
- Slew: +/-15°

OPTIONS

- Laser Receiver, driven height control
- GPS Automation w/Trimble DSP900

ATTACHMENTS

- MV30 Vibro: 30 Tons of Eccentric Driving force, customizable clamp
- DS2 Drill: 2356 ft/lbs torque, 2" Hex Output shaft
- DS3 Drill: 3859 ft/lbs torque, 2" Hex Output shaft
- DT5 Drill: 2 speed, 4930/2465 ft/lbs torque, 2 ½" Hex Output Shaft
- IH1250. 1,250 ft lbs. Variable 2 speed. Anti dry fire technology. 570-1180 BPM



Hercules Machinery Corporation
Manufacturer and Supplier of Foundation Equipment

5025 New Haven Ave., Fort Wayne, IN 46803
Ph: 800-348-1890 | TF: 800-348-1890
Fax: 260-422-2040